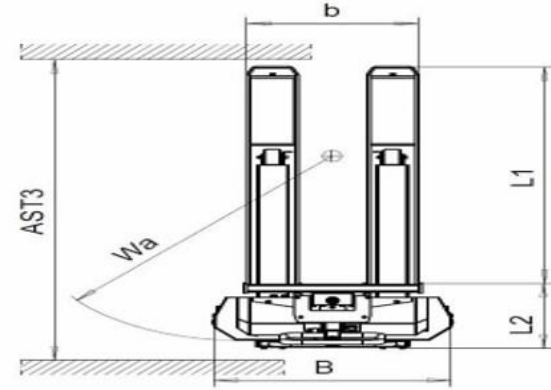
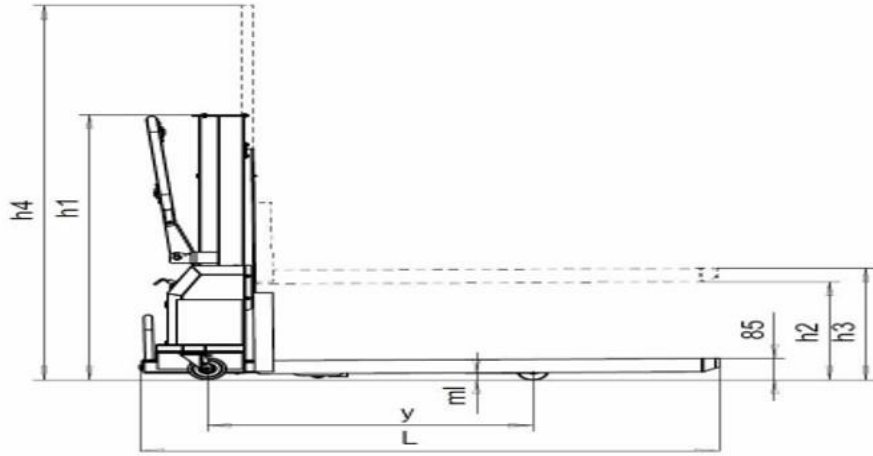



# INNO LIFT



## TECHNICAL DATA SHEET

	Unit of Measure / Schematic Reference	<b>OPEN BOTTOM LOADER (OBL)</b> <i>Designed for Skids - No Bottom Deck Boards</i>			<b>STRADDLE LOADER</b> <i>Designed for Pallets &amp; Skids</i>
<b>UNIT SIZE</b> <b>MODEL NUMBER</b>		<b>MEDIUM</b> <b>(IM600.800)</b>	<b>LARGE</b> <b>(IL600.1000)</b>	<b>LARGE High Capacity</b> <b>(IL1000.1000)</b>	<b>XXL STRADDLE</b> <b>(IXXL 500.1400.US)</b>
<b>VEHICLE FIT GUIDE*</b> <b>(Customer Verification Required)</b>	<b>Vehicle Type</b>	<b>Mid &amp; High Roof Cargo Vans</b>	<b>Mid &amp; High Roof Cargo Vans</b>	<b>Mid &amp; High Roof Cargo Vans</b>	<b>High Roof Cargo Vans; Box Trucks &amp; Semi-Trailers</b>
<b>Power Source</b>		Battery	Battery	Battery	Battery
<b>Lifting Capacity</b>	<b>LBS.</b>	1325	1325	2200	1100
<b>Palletized Freight Loading Height:</b> Measurement from bottom of a pallet hanging from the InnoLIFT forks at maximum height extension to the ground. Usually h3 minus 4 inches, but pallets may differ. Height from the ground to cargo bed of your vehicle cannot exceed this for loading palletized freight. Can be +/- 1/4 inch.	<b>Inches: h3 minus 4 inches</b>	30	37.5	38	51
<b>Non-Palletized Freight Loading Height:</b> Measurement from bottom of the InnoLIFT forks at maximum height extension to the ground. Height from the ground to cargo bed of your vehicle cannot exceed this for loading non-palletized freight. Can be +/- 1/4 inch.	<b>Inches: h2</b>	31.5	39	39.5	52.5
<b>Lifting Height:</b> Measurement from top of the InnoLIFT forks at maximum height extension to the ground.	<b>Inches: h3</b>	34	41.5	42	55
<b>Overall Lowered Height:</b> This is the minimum vertical vehicle door clearance needed for loading the InnoLIFT itself. When loading freight you must also account for any extension of the freight above the top of the InnoLIFT to make sure your vehicle door height can accommodate loading. Account for any upper door latches that extend below the door opening.	<b>Inches: h1</b>	47.5	55.5	58	70
<b>Chassis Width:</b> Minimum width of your vehicle's cargo floor (typically the distance between the rear wheel wells) that is needed to accommodate loading the InnoLIFT itself. When loading freight you must also account for any extension of the pallet or freight outside of the InnoLIFT.	<b>Inches: B</b>	30	30	39.35	50.79

<b>Own Weight</b>	<b>LBS.</b>	400	410	554	580
<b>Overall Extended Height</b>	<b>Inches: h4</b>	74.5	90	92.5	121
<b>Total Length With Forks</b>	<b>Inches: L</b>	60	60	62	60
<b>Chassis Length Without Forks</b>	<b>Inches: L2</b>	13.75	13.75	15.35	15
<b>Fork Length</b>	<b>Inches: L1</b>	46	46	46	46
<b>Overall Fork Width</b>	<b>Inches: b</b>	21.25	21.25	21.313	21.25
<b>Fork Dimensions</b>	<b>Inches</b>	6.5w x 2.375h	6.5w x 2.375h	6.9w x 2.375h	6.5w x 2.375h
<b>Distance Between Support Legs</b>	<b>Inches</b>				41.33
<b>Distance Between Forks</b>	<b>Inches</b>	8.25	8.25	7.5625	8.375
<b>Wheel Base</b>	<b>Inches: y</b>	38.5	38.5	38.5	38.5
<b>Wheel Dimensions, Front (support legs)</b>	<b>Inches</b>	3 x 2.125	3 x 2.125	3 x 2.125	3 x 2.375
<b>Wheel Dimensions, Rear (casters)</b>	<b>Inches</b>	4 x 1.575	4 x 1.575	5 x 1.575	4 x 1.575
<b>Wheel Material</b>		Polyurethane	Polyurethane	Polyurethane	Polyurethane
<b>Ground Clearance</b>	<b>Inches: ml</b>	0 - 1.2	0 - 1.2	0 - 1.2	0 - 1.2
<b>Working Aisle</b>	<b>Inches: AST3</b>	70.5	70.5	73	74
<b>Turning Radius</b>	<b>Inches: Wa</b>	43	43	45	50
<b>Parking Brake</b>		Mechanical	Mechanical	Mechanical	Mechanical
<b>Lifting Motor</b>	<b>kW</b>	0.8	0.8	0.8	0.8
<b>Battery Capacity</b>	<b>Volts/Amp</b>	12 V / 44 A	12 V / 44 A	12 V / 44 A	12 V / 44 A
<b>Charger</b>	<b>Volts/Amp</b>	12 V / 10 A	12 V / 10 A	12 V / 10 A	12 V / 10 A
<b>Load Center:</b> the distance from the vertical face of the forklift tines to the load's center of gravity.	<b>Inches</b>	23.5	23.5	23.5	23.5

\*This is for general reference only. Specific fit depends on vehicle make, model & year and any vehicle adjustments or customizations.

**IMPORTANT:** The Adjustable Rear Plate accessory for cargo van's with step bumpers is required for safe 90 degree loading/unloading to avoid potential injury.



(Frendix USA, LLC version (08.15.2021))