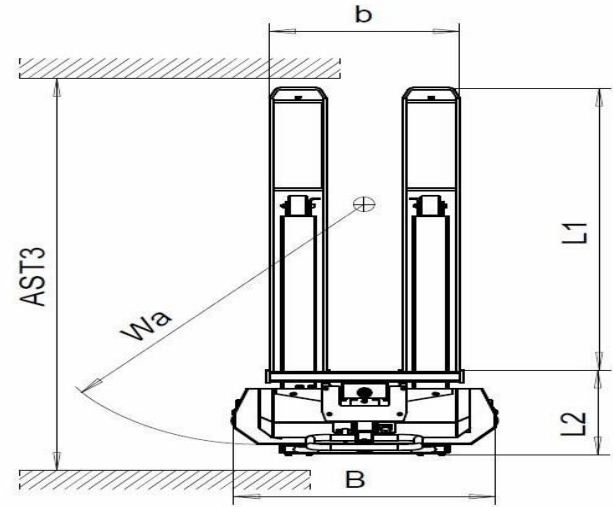
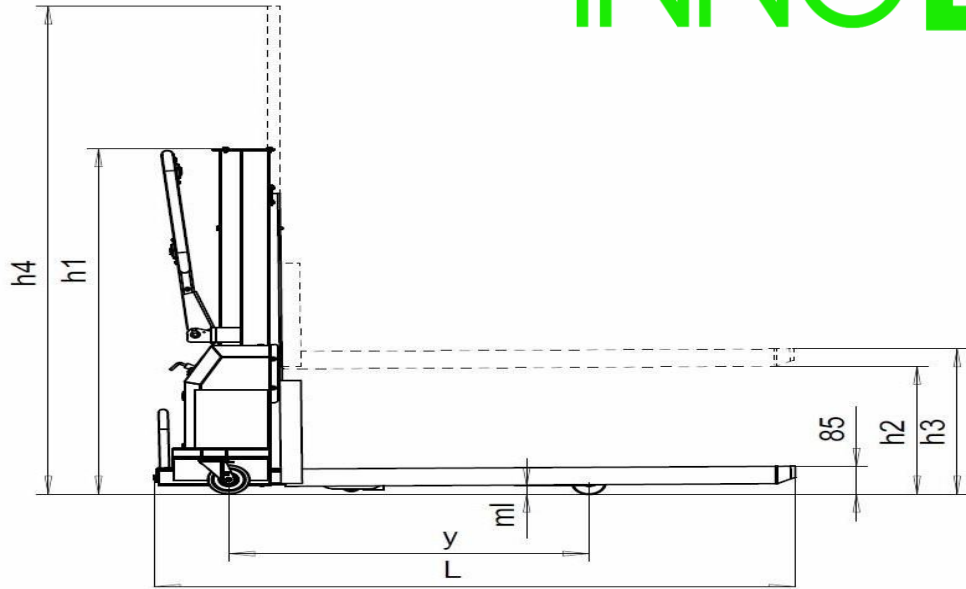



INNOLIFT



SCHEMATIC

INNOLIFT TECHNICAL DATA SHEET

	Unit of Measure / Schematic Reference	<h2 style="text-align: center;">OPEN-BOTTOM LOADERS (OBL)</h2> <p style="text-align: center;">(Designed For Skids Or Pallets Without Bottom Cross Stringers)</p>						
UNIT SIZE Model Number		SMALL OBL IS600.700	MEDIUM OBL IM600.800	LARGE OBL IL600.1000	XL OBL IXL500.1250	XXL OBL IXXL400.1400	LARGE HC OBL IL1000.1000	XL HC OBL IXL800.1250
VEHICLE FIT GUIDE* For Mercedes, Ford & Dodge Cargo Van models; Box Truck and Semi-Truck loading. Customer Verification Required.	Vehicle Type	Low Roof Cargo Vans	Medium Roof Cargo Vans High Roof Cargo Vans	Medium Roof Cargo Vans High Roof Cargo Vans	High Roof Cargo Vans (palletized) Box & Semi-Trucks (w/o pallets)	Box & Semi-Trucks	High Roof Cargo Vans	High Roof Cargo Vans (palletized) Box & Semi-Trucks (w/o pallets)
Power Source		Battery	Battery	Battery	Battery	Battery	Battery	Battery
Lifting Capacity	LBS.	1325	1325	1325	1100	900	2200	1760
Palletized Freight Loading Height: Measurement from bottom of a pallet hanging from the Innolift forks at maximum height extension to the ground. Usually h3 minus 4 inches, but pallets may differ. Height from the ground to cargo bed of your vehicle cannot exceed this for loading palletized freight. Can be +/- 1/4 inch.	Inches: h3 minus 4 inches	26	30	37.5	48	51	38	48
Non-Palletized Freight Loading Height: Measurement from bottom of the Innolift forks at maximum height extension to the ground. Height from the ground to cargo bed of your vehicle cannot exceed this for loading non-palletized freight. Can be +/- 1/4 inch.	Inches: h2	27.5	31.5	39	49.5	52.5	39.5	49.25
Lifting Height: Measurement from top of the Innolift forks at maximum height extension to the ground.	Inches: h3	30	34	41.5	52	55	42	52
Overall Lowered Height: This is the minimum vertical vehicle door clearance needed for loading the Innolift itself. When loading freight you must also account for any extension of the freight above the top of the Innolift to make sure your vehicle door height can accommodate loading. Account for any upper door latches that extend below the door opening.	Inches: h1	43.5	47.5	55.5	65.5	71	58	67.5

INNOLIFT TECHNICAL DATA SHEET



Unit of Measure / Schematic Reference

STRADDLE LOADERS (Designed For All Pallet Types - Open and Closed Bottom)

UNIT SIZE Model Number		XXL STRADDLE IXXL500.1400 US						
VEHICLE FIT GUIDE* For Mercedes, Ford & Dodge Cargo Van models; Box Truck and Semi-Truck loading. Customer Verification Required.	Vehicle Type	High Roof Cargo Vans Box & Semi-Trucks						
Power Source		Battery						
Lifting Capacity	LBS.	1100						
Palletized Freight Loading Height: Measurement from bottom of a pallet hanging from the Innolift forks at maximum height extension to the ground. Usually h3 minus 4 inches, but custom pallets may differ. Height from the ground to cargo bed of your vehicle cannot exceed this for loading palletized freight. Can be +/- 1/4 inch.	Inches: h3 minus 4 inches	51						
Non-Palletized Freight Loading Height: Measurement from bottom of the Innolift forks at maximum height extension to the ground. Height from the ground to cargo bed of your vehicle cannot exceed this for loading non-palletized freight. Can be +/- 1/4 inch.	Inches: h2	52.5						
Lifting Height: Measurement from top of the Innolift forks at maximum height extension to the ground.	Inches: h3	55						
Overall Lowered Height: This is the minimum vertical vehicle door clearance needed for loading the Innolift itself. When loading freight you must also account for any extension of the freight above the top of the Innolift to make sure your vehicle door height can accommodate loading. Account for any upper door latches that extend below the door opening.	Inches: h1	70						

Chassis Width: Minimum width of your vehicle's cargo floor (typically the distance between the rear wheel wells) that is needed to accommodate loading the Innolift itself. When loading freight you must also account for any extension of the pallet or freight outside of the Innolift.	Inches: B	50.79						
Own Weight	LBS.	580						
Overall Extended Height	Inches: h4	121						
Total Length With Forks	Inches: L	60						
Chassis Length Without Forks	Inches: L2	15						
Fork Length	Inches: L1	46						
Fork Width	Inches: b	21.25						
Fork Dimensions	Inches	6.5w x 2.375h						
Distance Between Support Legs	Inches	41.33						
Distance Between Forks	Inches	8.375						
Wheel Base	Inches: y	38.5						
Wheel Dimensions, Front (support legs)	Inches	3 x 2.375						
Wheel Dimensions, Rear (casters)	Inches	4 x 1.575						
Wheel Material		Polyurethane						
Ground Clearance	Inches: ml	0 - 1.2						
Working Aisle	Inches: AST3	74						
Turning Radius	Inches: Wa	50						
Parking Brake		Mechanical						
Lifting Motor	kW	0.8						
Battery Capacity	Volts/Amp	12 V / 44 A						
Charger	Volts/Amp	12 V / 10 A						
Load Center	Inches	23.5						

*This is for general reference only. Specific fit depends on Make Model & Year and any vehicle adjustments or customizations.

NOTE: For Cargo Van loading, use of our Adjustable, Aluminum Rear Plate accessory is required for safe loading/unloading.