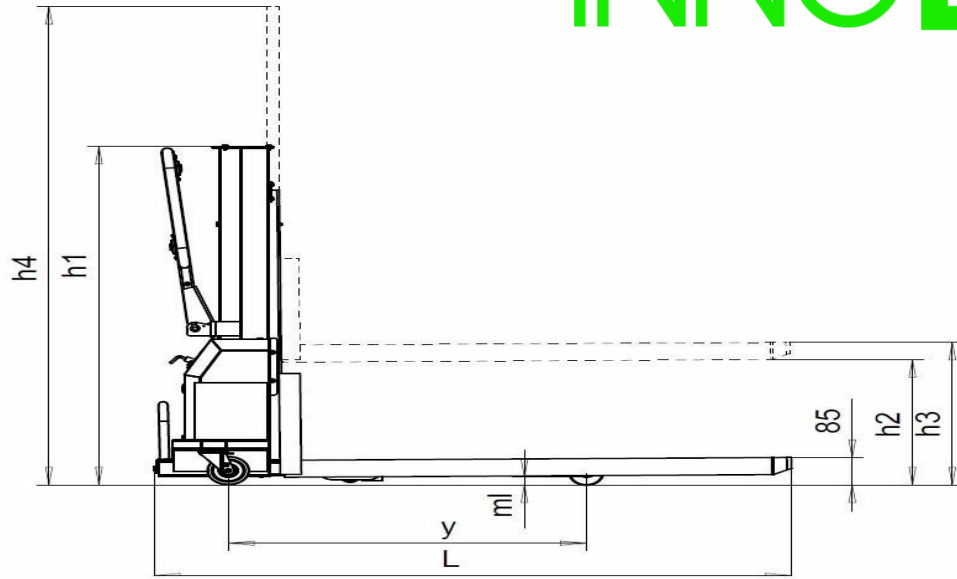
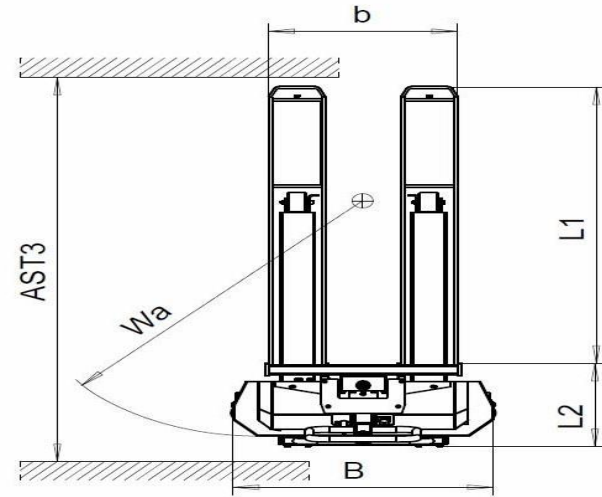


# INNO LIFT



SCHEMATIC



# INNOLIFT TECHNICAL DATA SHEET



Unit of Measure / Schematic Reference

## OPEN-BOTTOM LOADERS (OBL) (Designed For Skids Or Pallets Without Bottom Stringers)

UNIT SIZE Model Number		SMALL OBL IS600.700	MEDIUM OBL IM600.800	LARGE OBL IL600.1000	XL OBL IXL500.1250	XXL OBL IXXL400.1400	LARGE HC OBL IL1000.1000	XL HC OBL IXL800.1250
<b>Power Source</b>		Battery	Battery	Battery	Battery	Battery	Battery	Battery
<b>Lifting Capacity</b>	LBS.	1325	1325	1325	1100	900	2200	1760
<b>Palletized Freight Loading Height:</b> Measurement from bottom of a pallet hanging from the Innolift forks at maximum height extension to the ground. Usually h3 minus 4 inches, but pallets may differ. Height from the ground to cargo bed of your vehicle cannot exceed this for loading palletized freight. Can be +/- 1/4 inch.	Inches: h3 minus 4 inches	26	30	37.5	48	51	38	48
<b>Non-Palletized Freight Loading Height:</b> Measurement from bottom of the Innolift forks at maximum height extension to the ground. Height from the ground to cargo bed of your vehicle cannot exceed this for loading non-palletized freight. Can be +/- 1/4 inch.	Inches: h2	27.5	31.5	39	49.5	52.5	39.5	49.25
<b>Lifting Height:</b> Measurement from top of the innolift forks at maximum height extension to the ground.	Inches: h3	30	34	41.5	52	55	42	52
<b>Overall Lowered Height:</b> This is the minimum vertical vehicle door clearance needed for loading the Innolift itself. When loading freight you must also account for any extension of the freight above the top of the Innolift to make sure your vehicle door height can accommodate loading. Account for any upper door latches that extend below the door opening.	Inches: h1	43.5	47.5	55.5	65.5	71	58	67.5



# INNOLIFT TECHNICAL DATA SHEET



Unit of Measure / Schematic Reference

## STRADDLE LOADERS (Designed For All Pallet Types - Open and Closed Bottom)

UNIT SIZE Model Number		XXL STRADDLE IXXL500.1400 US						
Power Source		Battery						
Lifting Capacity	LBS.	1100						
<b>Palletized Freight Loading Height:</b> Measurement from bottom of a pallet hanging from the Innolift forks at maximum height extension to the ground. Usually h3 minus 4 inches, but custom pallets may differ. Height from the ground to cargo bed of your vehicle cannot exceed this for loading palletized freight. Can be +/- 1/4 inch.	Inches: h3 minus 4 inches	51						
<b>Non-Palletized Freight Loading Height:</b> Measurement from bottom of the Innolift forks at maximum height extension to the ground. Height from the ground to cargo bed of your vehicle cannot exceed this for loading non-palletized freight. Can be +/- 1/4 inch.	Inches: h2	52.5						
<b>Lifting Height:</b> Measurement from top of the innolift forks at maximum height extension to the ground.	Inches: h3	55						
<b>Overall Lowered Height:</b> This is the minimum vertical vehicle door clearance needed for loading the unit itself; account for any cargo height above unit and any upper door latches.	Inches: h1	70						

<b>Chassis Width:</b> Minimum width of your vehicle's cargo floor (typically the distance between the rear wheel wells) that is needed to accommodate loading the Innolift itself. When loading freight you must also account for any extension of the pallet or freight outside of the Innolift.	Inches: B	50.79						
<b>Own Weight</b>	LBS.	580						
<b>Overall Extended Height</b>	Inches: h4	121						
<b>Total Length With Forks</b>	Inches: L	60						
<b>Chassis Length Without Forks</b>	Inches: L2	15						
<b>Fork Length</b>	Inches: L1	46						
<b>Fork Width</b>	Inches: b	21.25						
<b>Fork Dimensions</b>	Inches	6.5w x 2.375h						
<b>Distance Between Support Legs</b>	Inches	41.33						
<b>Distance Between Forks</b>	Inches	8.375						
<b>Wheel Base</b>	Inches: y	38.5						
<b>Wheel Dimensions, Front (support legs)</b>	Inches	3 x 2.375						
<b>Wheel Dimensions, Rear (casters)</b>	Inches	4 x 1.575						
<b>Wheel Material</b>		Polyurethane						
<b>Ground Clearance</b>	Inches: ml	0 - 1.2						
<b>Working Aisle</b>	Inches: AST3	74						
<b>Turning Radius</b>	Inches: Wa	50						
<b>Parking Brake</b>		Mechanical						
<b>Lifting Motor</b>	kW	0.8						
<b>Battery Capacity</b>	Volts/Amp	12 V / 44 A						
<b>Charger</b>	Volts/Amp	12 V / 10 A						
<b>Load Center</b>	Inches	23.5						



(Frendix USA, LLC version 12.03.2020)