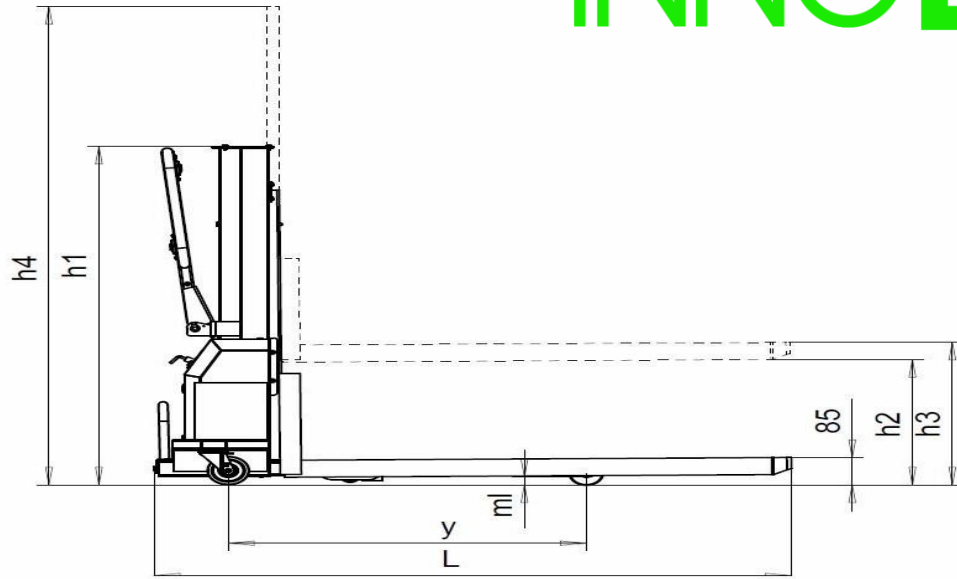
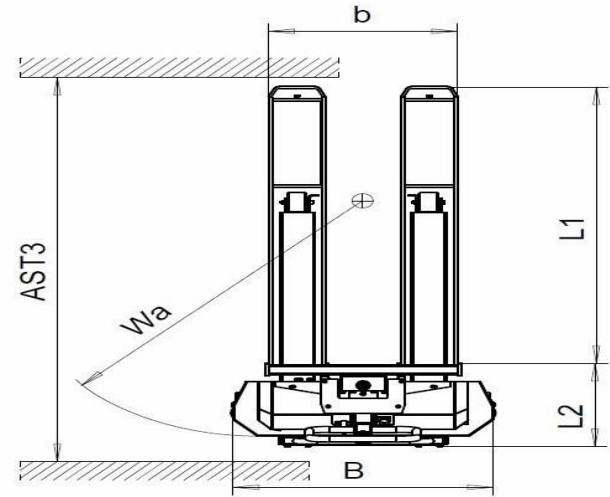


INNO LIFT



SCHEMATIC



INNOLIFT TECHNICAL DATA SHEET



Unit of Measure / Schematic Reference

OPEN-BOTTOM LOADERS (OBL) (Designed For Skids Or Pallets Without Bottom Stringers)

Model Number		IS600.700	IM600.800	IL600.1000	IXL500.1250	IXXL400.1400	IL1000.1000	IXL800.1250
Power Source		Battery	Battery	Battery	Battery	Battery	Battery	Battery
Lifting Capacity	LBS.	1325	1325	1325	1100	900	2200	1760
Palletized Freight Loading Height: Measurement from bottom of a pallet hanging from the Innolift forks at maximum height extension to the ground. Usually h3 minus 4 inches, but pallets may differ. Height from the ground to cargo bed of your vehicle cannot exceed this for loading palletized freight. Can be +/- 1/4 inch.	Inches: h3 minus 4 inches	26	30	37.5	48	51	38	48
Non-Palletized Freight Loading Height: Measurement from bottom of the Innolift forks at maximum height extension to the ground. Height from the ground to cargo bed of your vehicle cannot exceed this for loading non-palletized freight. Can be +/- 1/4 inch.	Inches: h2	27.5	31.5	39	49.5	52.5	39.5	49.25
Lifting Height: Measurement from top of the innolift forks at maximum height extension to the ground.	Inches: h3	30	34	41.5	52	55	42	52
Overall Lowered Height: This is the minimum vertical vehicle door clearance needed for loading the Innolift itself. When loading freight you must also account for any extension of the freight above the top of the Innolift to make sure your vehicle door height can accomodate loading. Account for any upper door latches that extend below the door opening.	Inches: h1	43.5	47.5	55.5	65.5	71	58	67.5

INNOLIFT TECHNICAL DATA SHEET



Unit of Measure / Schematic Reference

STRADDLE LOADERS (Designed For All Skid And Pallet Types)

Model Number		IXL550.1250 US	IXXL500.1400 US					
Power Source		Battery	Battery					
Lifting Capacity	LBS.	1200	1100					
Palletized Freight Loading Height: Measurement from bottom of a pallet hanging from the Innolift forks at maximum height extension to the ground. Usually h3 minus 4 inches, but custom pallets may differ. Height from the ground to cargo bed of your vehicle cannot exceed this for loading palletized freight. Can be +/- 1/4 inch.	Inches: h3 minus 4 inches	47.25	53					
Non-Palletized Freight Loading Height: Measurement from bottom of the Innolift forks at maximum height extension to the ground. Height from the ground to cargo bed of your vehicle cannot exceed this for loading non-palletized freight. Can be +/- 1/4 inch.	Inches: h2	49.25	54.5					
Lifting Height: Measurement from top of the innolift forks at maximum height extension to the ground.	Inches: h3	51.75	57					
Overall Lowered Height: This is the minimum vertical vehicle door clearance needed for loading the unit itself; account for any cargo height above unit and any upper door latches.	Inches: h1	65	71					

Chassis Width: Minimum width of your vehicle's cargo floor (typically the distance between the rear wheel wells) that is needed to accommodate loading the Innolift itself. When loading freight you must also account for any extension of the pallet or freight outside of the Innolift.								
	Inches: B	50.5	58.25					
Own Weight	LBS.	565	578					
Overall Extended Height	Inches: h4	109.5	121					
Total Length With Forks	Inches: L	60	60					
Chassis Length Without Forks	Inches: L2	13.75	13.75					
Fork Length	Inches: L1	46	46					
Fork Width	Inches: b	21.25	21.25					
Fork Dimensions	Inches	6.5w x 2.375h	6.5w x 2.375h					
Distance Between Forks	Inches	8.375	8.5					
Wheel Base	Inches: y	38.5	38.5					
Wheel Dimensions, Front (support legs)	Inches	3 x 2.125	3 x 2.125					
Wheel Dimensions, Rear (casters)	Inches	4 x 1.575	4 x 1.575					
Wheel Material		Polyurethane	Polyurethane					
Ground Clearance	Inches: ml	0 - 1.2	0 - 1.2					
Working Aisle	Inches: AST3	71.25	70.5					
Turning Radius	Inches: Wa	47.25	50					
Parking Brake		Mechanical	Mechanical					
Lifting Motor	kW	0.8	0.8					
Battery Capacity	Volts/Amp	12 V / 44 A	12 V / 44 A					
Charger	Volts/Amp	12 V / 10 A	12 V / 10 A					
Load Center	Inches	23.5	23.5					

FRENDIX[®] USA

(Frendix USA, LLC version 04.15.2020)