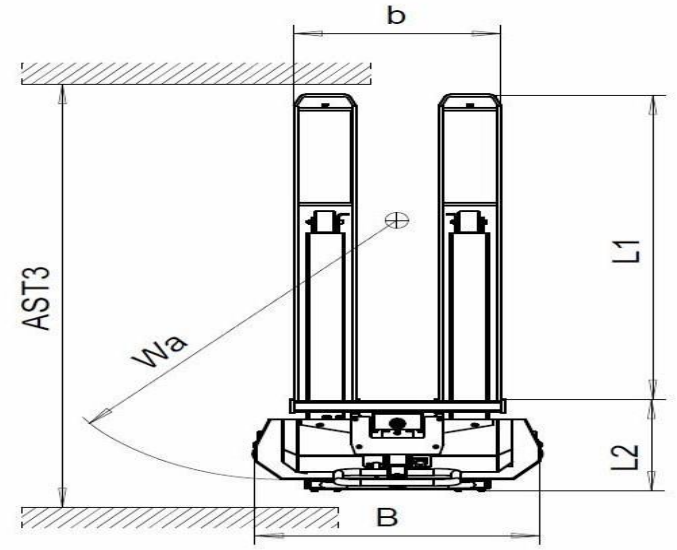
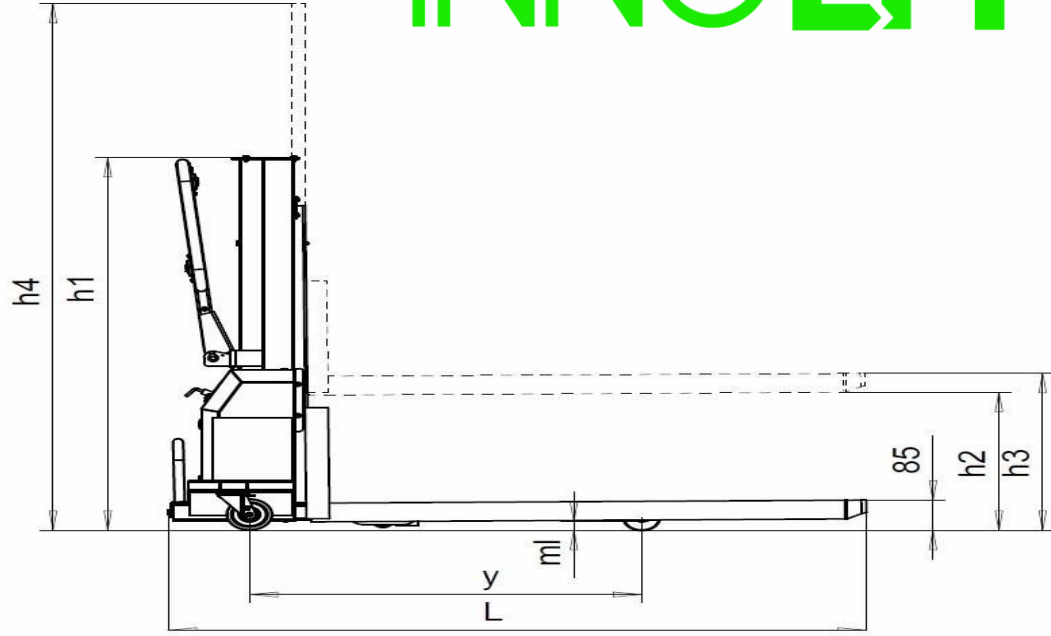


INNOLIFT



INNOLIFT TECHNICAL DATA SHEET



Unit of Measure / Schematic Reference

OPEN BOTTOM PALLET / FREIGHT LOADERS (Designed for European Style Pallets & Skids)

U.S. STRADDLE LOADERS (Designed for U.S. Style Pallets)

Model Number		IS600.700	IM600.800	IL600.1000	IXL500.1250	IXXL400.1400	IXL-US PALLET	IXXL-US PALLET
Power Source		Battery	Battery	Battery	Battery	Battery	Battery	Battery
Lifting Capacity	LBS.	1325	1325	1325	1100	900	1200	1100
Palletized Freight Loading Height: Measurement from bottom of a pallet hanging from the forks to the ground at maximum height extension. Usually h3 minus 4 inches. This is also the max height from the ground to the bed of your vehicle for palletized freight; can be +/- 1/4 inch.	Inches: h3 minus 4 inches	23.5	30	35.25	45.25	53	45.25	51.25
Non-Palletized Freight Loading Height: Measurement from bottom of the forks to the ground at maximum height extension. This is also the max height from the ground to the bed of your vehicle for non-palletized freight; can be +/- 1/4	Inches: h2	25	31.5	36.75	46.75	54.5	49.25	55.25
Lifting Height: Measurement from top of the forks to the ground at maximum height extension. Add this dimension to the height of any palletized or non-palletized freight to make sure your vehicle door height can accommodate loading; account for any upper door latches.	Inches: h3	27.5	34	39.25	49.25	57	51.75	57.75
Overall Lowered Height: This is the minimum vertical vehicle door clearance needed for loading the unit itself; account for any cargo height above unit and any upper door latches.	Inches: h1	42.5	47.25	55.25	67	73	65	71

Own Weight	LBS.	385	400	410	420	430	575	585
Overall Extended Height	Inches: h4	67	74.75	90.5	110.25	116.25	110	121.5
Total Length With Forks	Inches: L	60	60	60	60	60	60	60
Chassis Length Without Forks	Inches: L2	13.75	13.75	13.75	13.75	13.75	13.75	13.75
Fork Length	Inches: L1	46.75	46.75	46.75	46.75	46.75	46	46
Fork Width	Inches: b	21.25	21.25	21.25	21.25	21.25	21.25	21.25
Fork Dimensions	Inches	6.5w x 2.35h	6.5w x 2.35h	6.5w x 2.35h	6.5w x 2.35h	6.5w x 2.35h	6.5w x 2.35h	6.5w x 2.35h
Chassis Width	Inches: B	30	30	30	30	30	50	57.75
Wheel Base	Inches: y	38.5	38.5	38.5	38.5	38.5	38.5	38.5
Wheel Dimensions, Front	Inches	3 x 2.35	3 x 2.35	3 x 2.35	3 x 2.35	3 x 2.35	3 x 2.35	3 x 2.35
Wheel Dimensions, Rear	Inches	4 x 1.5	4 x 1.5	4 x 1.5	4 x 1.5	4 x 1.5	4 x 1.5	4 x 1.5
Wheel Material		Polyurethane	Polyurethane	Polyurethane	Polyurethane	Polyurethane	Polyurethane	Polyurethane
Ground Clearance	Inches: ml	0 - 1.2	0 - 1.2	0 - 1.2	0 - 1.2	0 - 1.2	0 - 0.5	0 - 0.5
Working Aisle	Inches: AST3	70.5	70.5	70.5	70.5	70.5	71.25	71.25
Turning Radius	Inches: Wa	43	43	43	43	43	43	43
Parking Brake		Mechanical	Mechanical	Mechanical	Mechanical	Mechanical	Mechanical	Mechanical
Lifting Motor	kW	0.8	0.8	0.8	0.8	0.8	0.8	0.8
Battery Capacity	Volts/Amp	12 V / 44 A	12 V / 44 A	12 V / 44 A	12 V / 44 A	12 V / 44 A	12 V / 44 A	12 V / 44 A
Charger	Volts/Amp	12 V / 10 A	12 V / 10 A	12 V / 10 A	12 V / 10 A	12 V / 10 A	12 V / 10 A	12 V / 10 A
Load Center	Inches	23.5	23.5	23.5	23.5	23.5	23.5	23.5

(Frendix USA, LLC version 03.19)

